

Model: D9RC-1000

Data

Type: Semi-hermetic piston compressors

Producer: Copeland

Series: S

Model: D9RC-1000

Technical data

Cylinder count:	3
Displacement [m ³ /h]:	38
Weight [kg]:	166
Oil charge [dm ³]:	2,9
Max. operating current [A]:	25,1
Locked rotor current [A]:	96
Power supply [V/~/Hz]:	400V/3/50Hz

Connections

	<u>milimeters</u>	<u>inches</u>
Suction line:		
Discharge line:		

Model: D9RC-1000

Capacity

R22

Cooling capacity [kW]

$t_c \setminus t_e$	-25	-20	-15	-10	-5	0	5	10
30	9.18	12.43	16.20	20.56	25.57	31.32	37.86	45.27
35	8.12	11.24	14.85	19.02	23.81	29.29	35.54	42.63
40	7.11	10.09	13.53	17.50	22.05	27.27	33.23	39.98
45	-	8.99	12.26	16.02	20.33	25.28	30.93	37.35
50	-	-	11.05	14.59	18.66	23.33	28.67	34.74
55	-	-	9.91	13.23	17.05	21.43	26.45	32.18
60	-	-	-	11.95	15.51	19.60	24.30	29.67

Power input [kW]

$t_c \setminus t_e$	-25	-20	-15	-10	-5	0	5	10
30	4.00	4.71	5.35	5.90	6.33	6.64	6.79	6.77
35	4.20	4.97	5.69	6.33	6.87	7.29	7.57	7.67
40	4.37	5.21	6.00	6.73	7.36	7.89	8.28	8.52
45	-	5.43	6.28	7.09	7.81	8.44	8.94	9.29
50	-	-	6.54	7.41	8.22	8.94	9.54	10.01
55	-	-	6.77	7.71	8.59	9.40	10.10	10.68
60	-	-	-	7.99	8.94	9.82	10.62	11.30

Model: D9RC-1000

Capacity

Current [A]

t_c \ t_e	-25	-20	-15	-10	-5	0	5	10
30	9.42	10.29	11.12	11.87	12.48	12.92	13.14	13.10
35	9.65	10.63	11.59	12.48	13.25	13.87	14.29	14.45
40	9.86	10.94	12.02	13.04	13.97	14.76	15.37	15.74
45	-	11.23	12.42	13.57	14.65	15.60	16.38	16.95
50	-	-	12.78	14.06	15.27	16.38	17.34	18.10
55	-	-	13.11	14.51	15.86	17.12	18.24	19.18
60	-	-	-	14.92	16.39	17.80	19.08	20.20

Mass flow [kg/s]

t_c \ t_e	-25	-20	-15	-10	-5	0	5	10
30	199.59	267.12	343.66	430.45	528.71	639.68	764.59	904.67
35	183.84	251.12	327.25	413.43	510.92	620.93	744.71	883.48
40	168.07	234.94	310.46	395.88	492.41	601.30	723.76	861.05
45	-	218.92	293.68	378.14	473.55	581.13	702.12	837.74
50	-	-	277.25	360.59	454.70	560.80	680.13	813.91
55	-	-	261.54	343.58	436.21	540.66	658.16	789.93
60	-	-	-	327.48	418.46	521.08	636.57	766.16

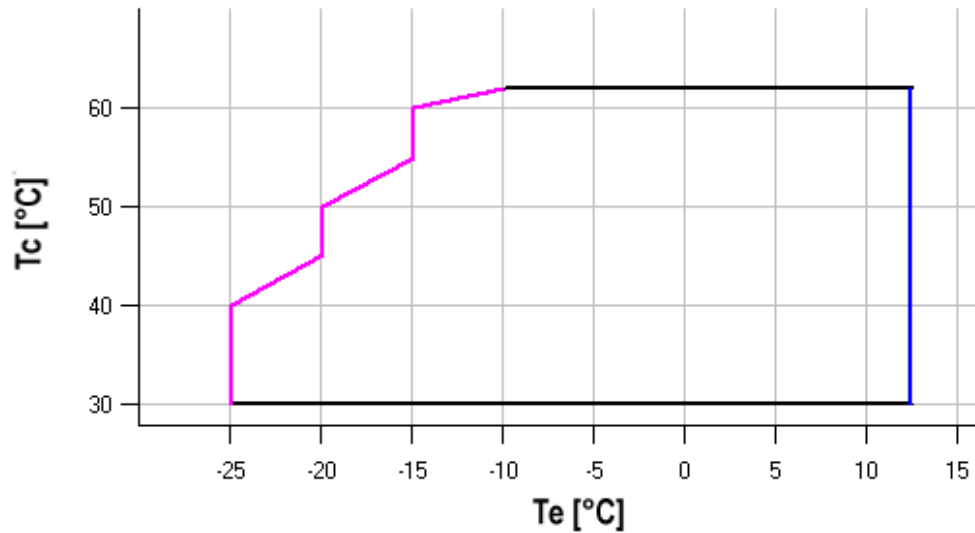
Model: D9RC-1000

Capacity

C.O.P. [W/W]

$t_c \setminus t_e$	-25	-20	-15	-10	-5	0	5	10
30	2.30	2.64	3.03	3.49	4.04	4.72	5.57	6.69
35	1.94	2.26	2.61	3.00	3.46	4.02	4.70	5.55
40	1.63	1.94	2.25	2.60	2.99	3.46	4.01	4.70
45	-	1.66	1.95	2.26	2.60	3.00	3.46	4.02
50	-	-	1.69	1.97	2.27	2.61	3.00	3.47
55	-	-	1.46	1.72	1.98	2.28	2.62	3.01
60	-	-	-	1.50	1.74	2.00	2.29	2.63

Application range



 Maximum evaporating temperature

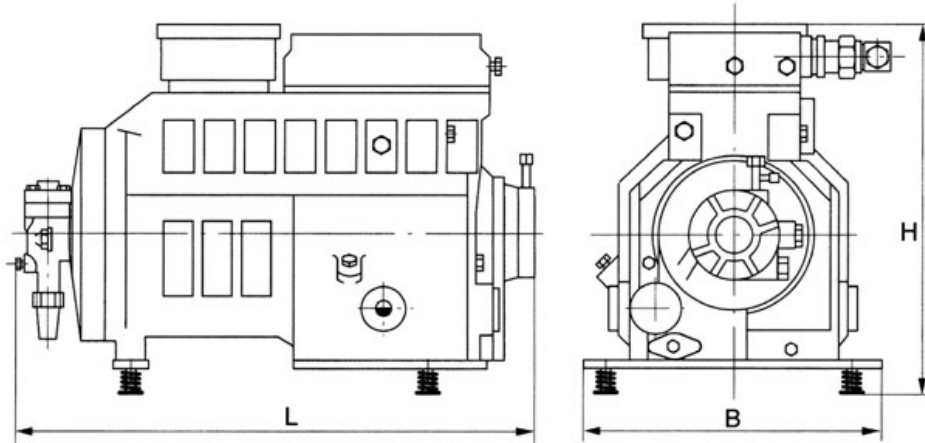
Operating conditions: ISO; subcooling: 0 K, suction superheat: 10 K, return gas temperature: -

t_c - Condensing temperature [°C]

t_e - Evaporating temperature [°C]

Model: D9RC-1000

Dimensions



L	730 mm
B	355 mm
H	480 mm

Model: D9RC-1000

Image

